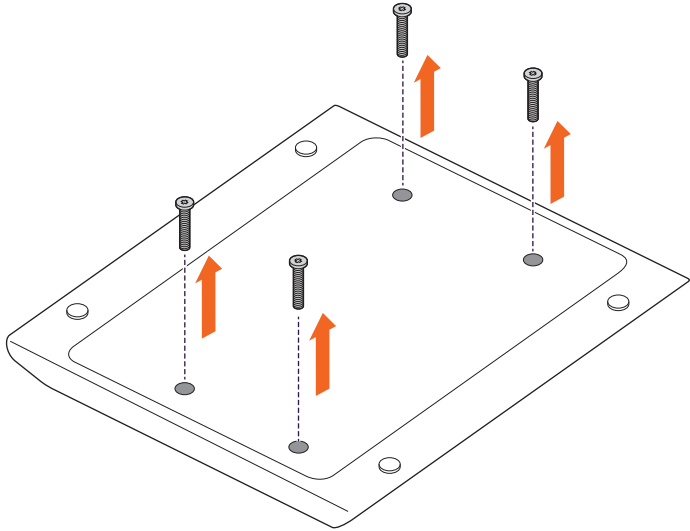


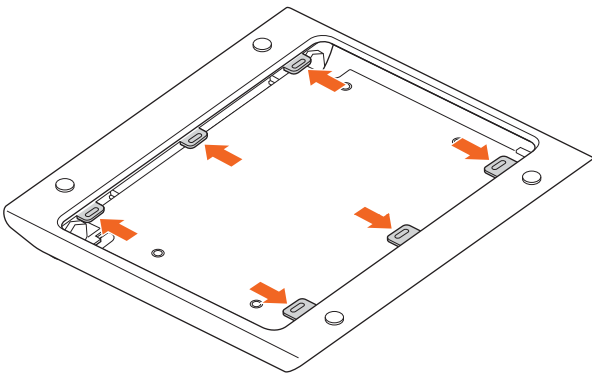
# BrightSign® | XDx33 / XTx43

## WS103 WIFI/BLEETOOTH MODULE INSTALLATION

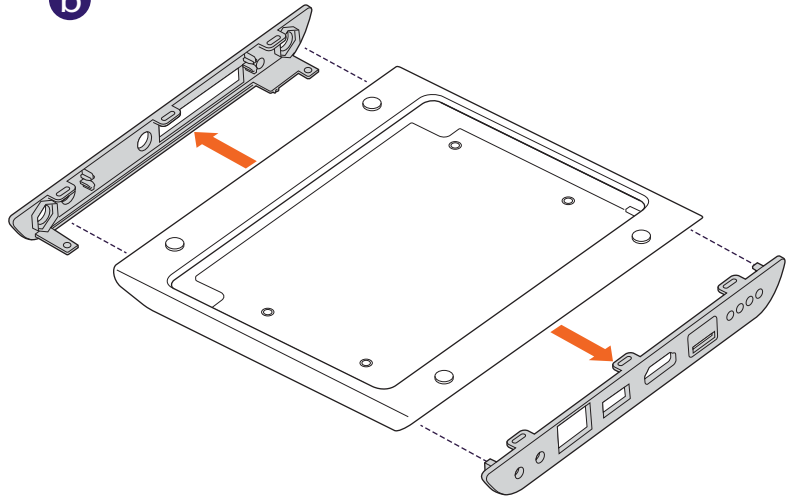
1



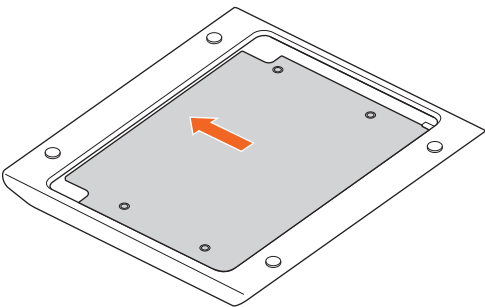
2 a



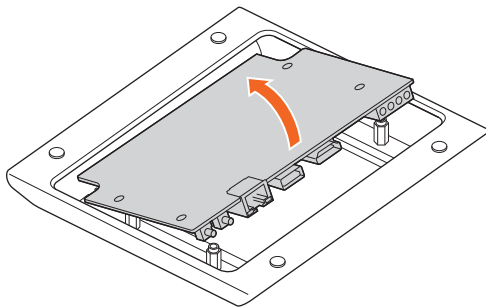
b



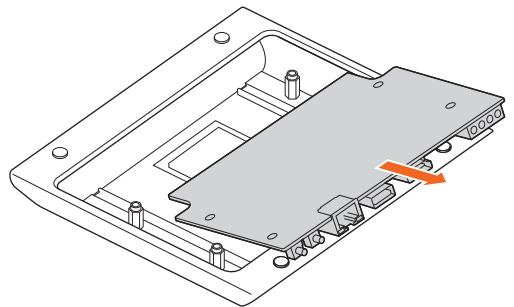
3 a



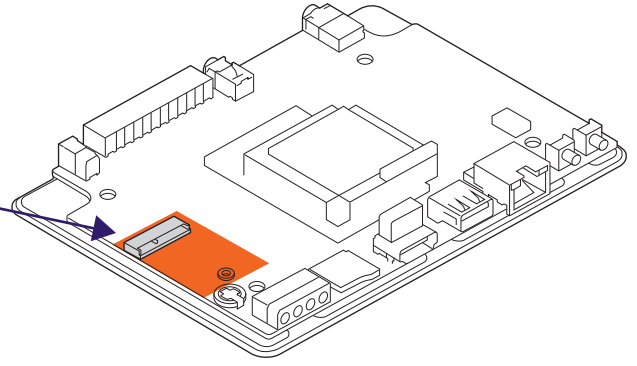
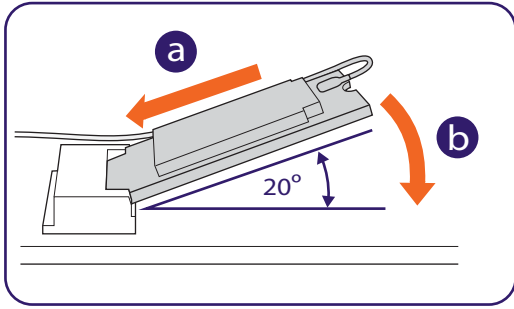
b



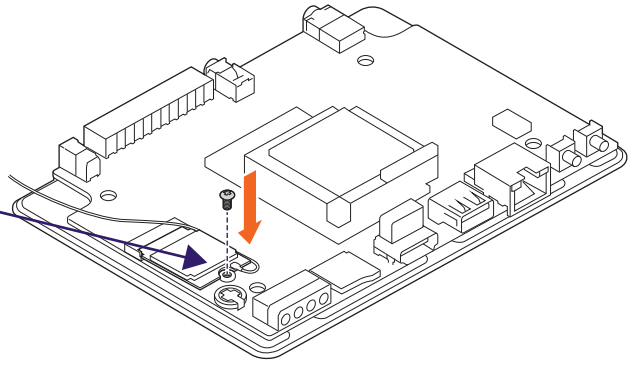
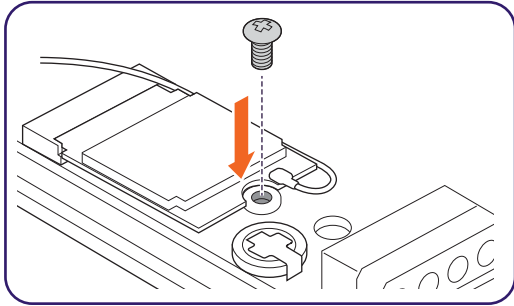
c



4

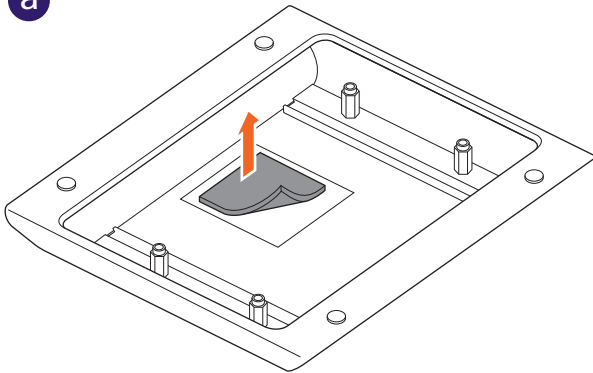


5

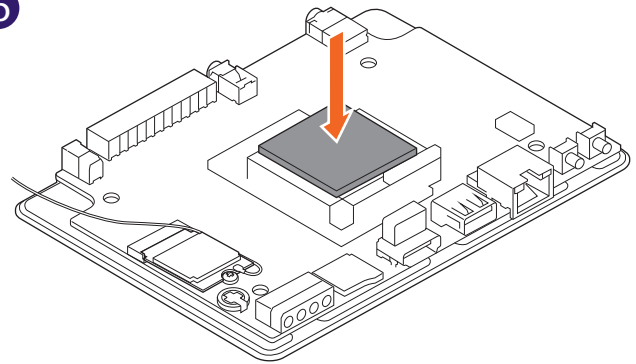


6

a

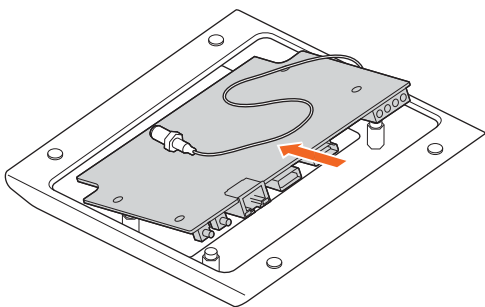


b

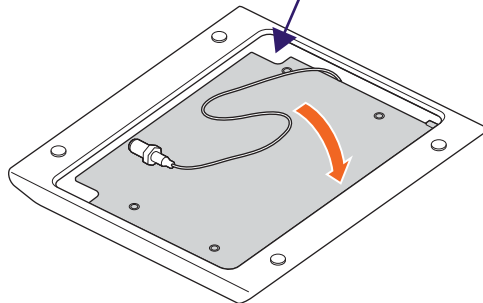
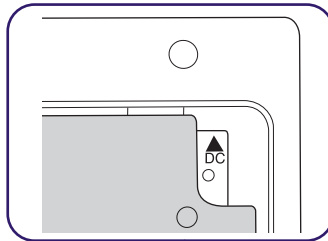


7

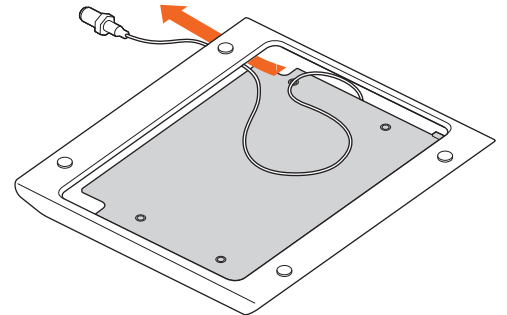
a



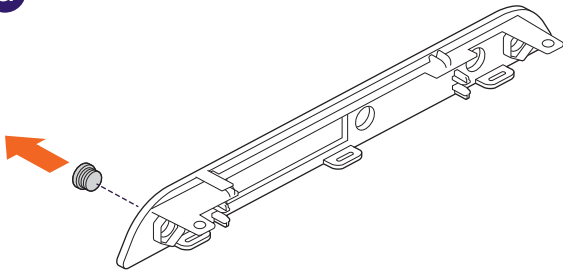
b



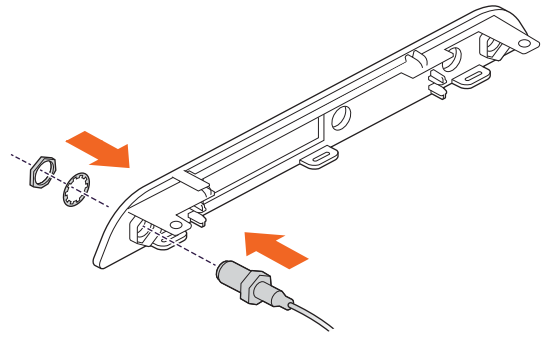
c



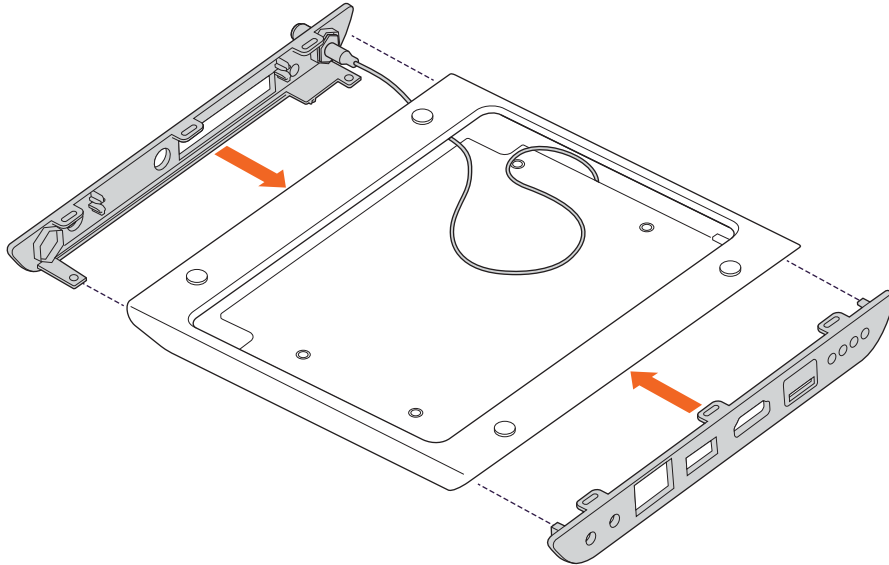
8 a



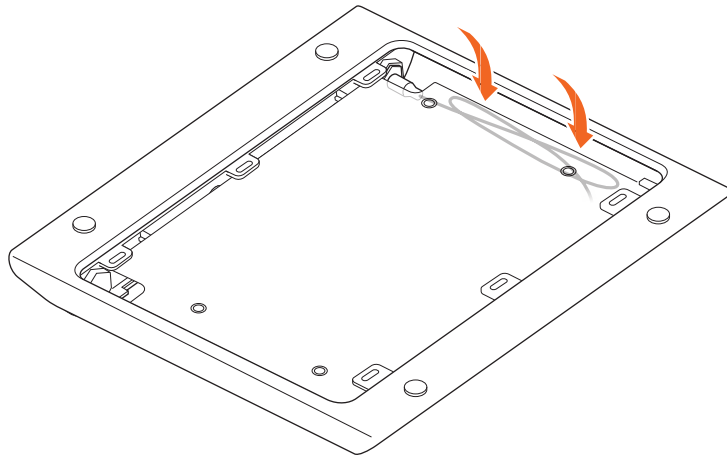
b



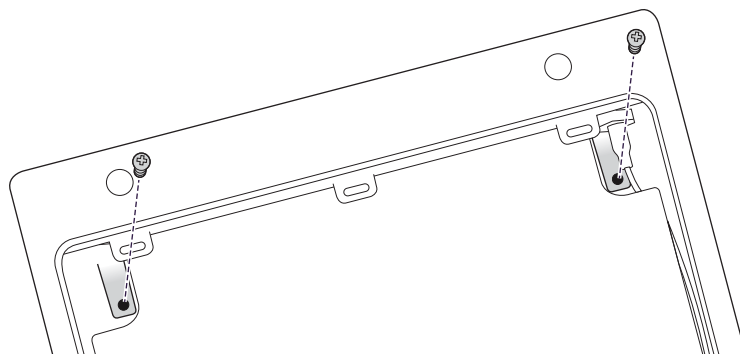
9



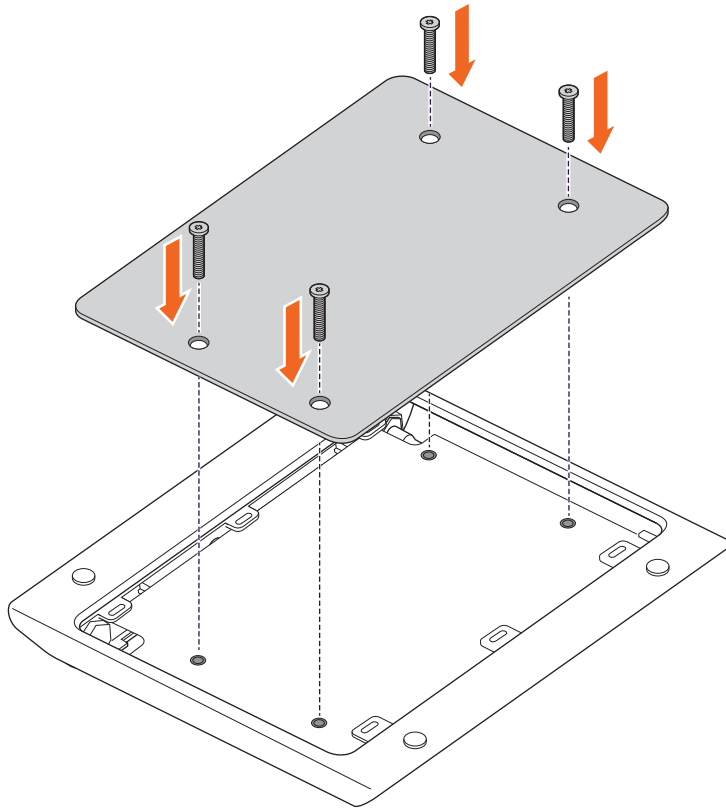
10



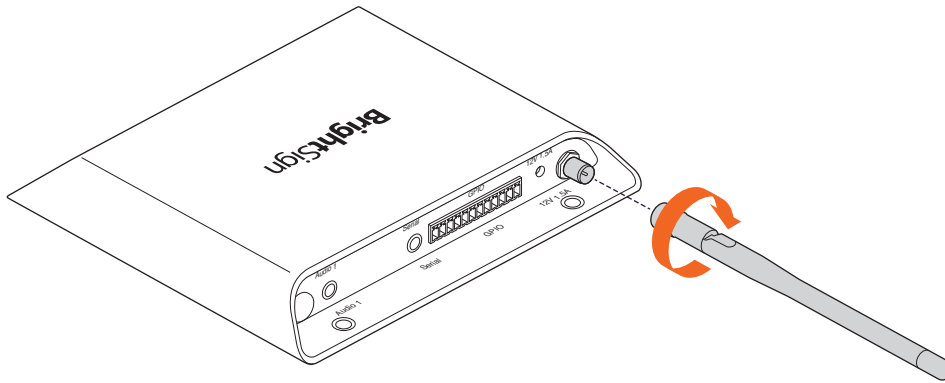
11



12



13



14

