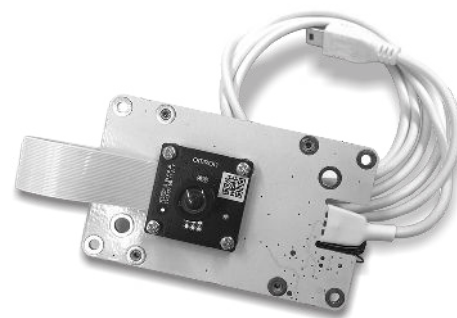


X-EYE GENDER

XY range

The Nexmosphere XY range offers a variety of sensors for detecting and analyzing the presence, distance, and demographics of the people in front of your interactive display or signage installation. Whether you want to increase the impact by triggering the right content at the right time, want to program attractive lighting changes and increase engagement or want to collect valuable data, the XY range has a sensor which provides the input to do so.

The X-Eye Gender sensor instantly detects the gender of a person in front of the sensor and also provides an estimation of the age of this person. The X-Eye Gender is a completely stand-alone embedded sensor which does not require any internet connectivity. No video data is stored, making it a 100% GDPR-compliant solution.



Features

- Detects the gender and estimates the age of the person in front of the sensor
- Indicates 3 levels of confidence for the detected gender and age: low, medium, high
- Multiple adjustable settings such as trigger levels, detection area and filter levels

X-talk

The X-Eye Gender sensor can easily be connected to any of the Nexmosphere Xperience controllers using the X-talk interface. All settings of the XY sensor are programmable on the controller, enabling a seamless integration in your application.

- Plug and smile interface
- Compatible with any Nexmosphere Xperience controller
- Powered by and programmable with Nexmosphere Xperience controller

Gender detection

Gender detection can be highly valuable when wanting to ensure the right content is displayed at the right time. As soon as the gender of a person is detected, the X-Eye Gender sensor will provide a trigger, enabling gender-related content to start playing when the target audience is looking (e.g. Women or Mens collection).

- Indicates gender and the sensor's level of confidence
- Adjustable settings and trigger levels

Age estimation

Age estimation is valuable input and can be used for analyzing the demographics of the traffic in front of your display. Within a few seconds, right after a person enters the detection area of the sensor, an estimation on the age range of that person is provided. This can be used as a data point or to trigger age-specific content.

- Indicates age and the sensor's level of confidence
- Multiple age mappings available via X-Talk settings

Benefits

- Small, easy to integrate and non-intrusive
- Completely stand-alone solution, no internet connection or software licenses/fees required
- GDPR-compliant
- Status LED for visual feedback
- Easy to add onto existing installations
- Generates data on use of display within gender and age categories.

X-EYE GENDER

Mounting specifications

- Make sure the lens of the sensor has a clear view of the person in front of the installation
- Ideally, the sensor is installed at average eye-height
- The sensor performs optimally in a well, and -evenly lit area

Thermal specifications

Operating temperature: +10°C...+40°C/ +50°F ... +104°F
 Storage temperature: -20°C...+50°C/ -4°F ... +122°F

Electrical specifications

- Operating voltage: 5V DC (via X-talk interface)
- Power consumption: 400mA

Miscellaneous

- Mounting holes for easy fixation
- 1-year warranty (optional 3-year extended warranty available)

Packaging

Items per carton 1, 10 or 50 pcs

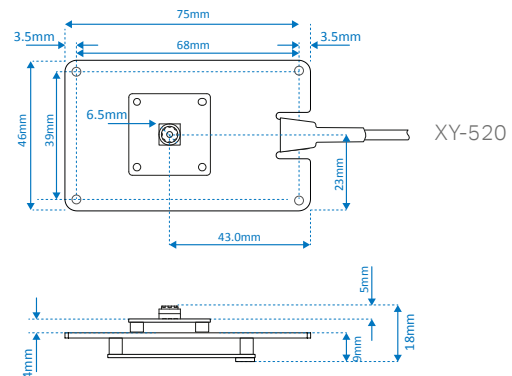
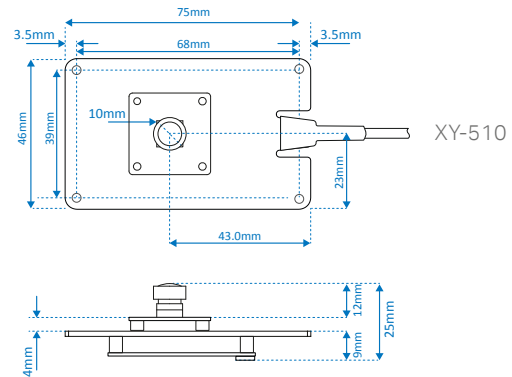
Standards and Certifications



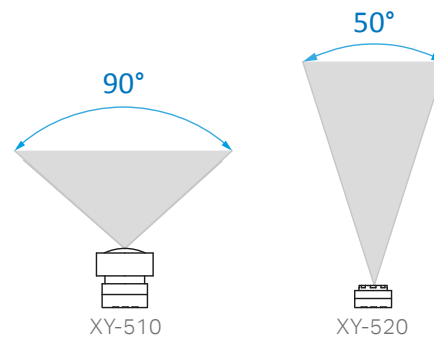
RoHS
compliant

Mechanical dimensions

LxWxH: 75 x 46 x 18/25 mm
 Screw fixation: 68 x 39 mm



Detection area



Ordering information

Product ID	Description	Netto weight	Quantity
XY-510	X-Eye Gender detection, 90 degrees angle, 1.2m range	30g	1 pc
XY-520	X-Eye Gender detection, 50 degrees angle, 2.5m range	30g	1 pc

Nexmosphere

High Tech Campus 10 (Mμ building)
 5656 AE Eindhoven • The Netherlands

T +31 40 240 7070
 E sales@nexmosphere.com

© 2019 Nexmosphere. All rights reserved. v1.0 / 02-19
 All content contained herein is subject to change without prior notice.