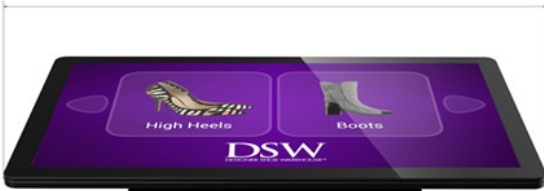




1048.9

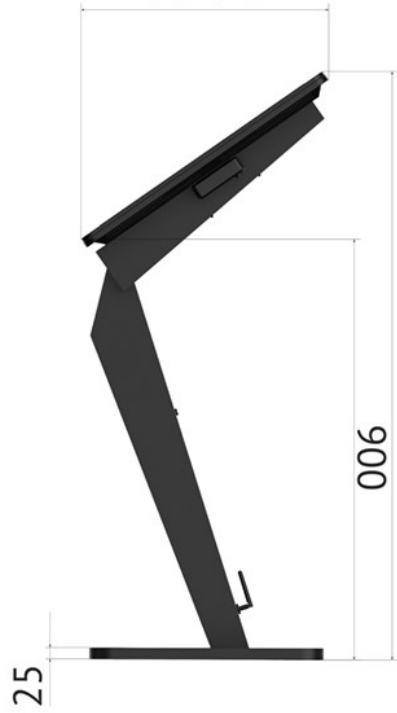


350

800



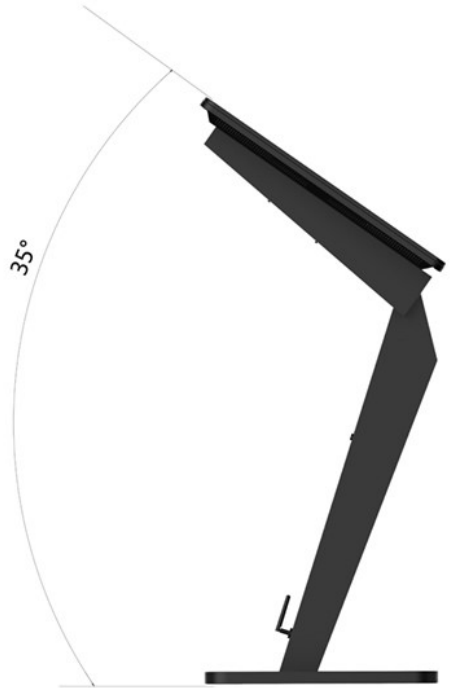
534.25



1246

900

25



35°